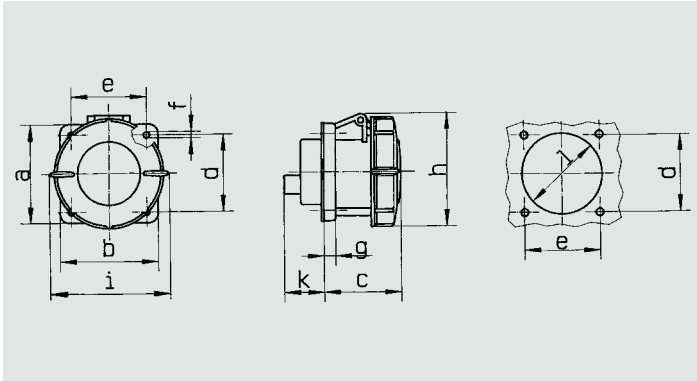


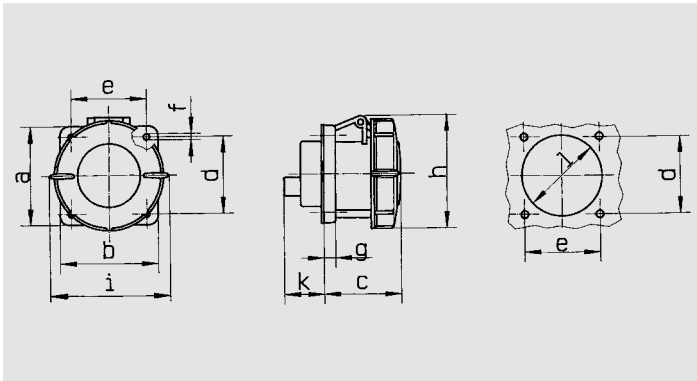
# Series 309 - Pin & Sleeve Devices. Receptacles

20 Amp - 100 Amp  
Watertight



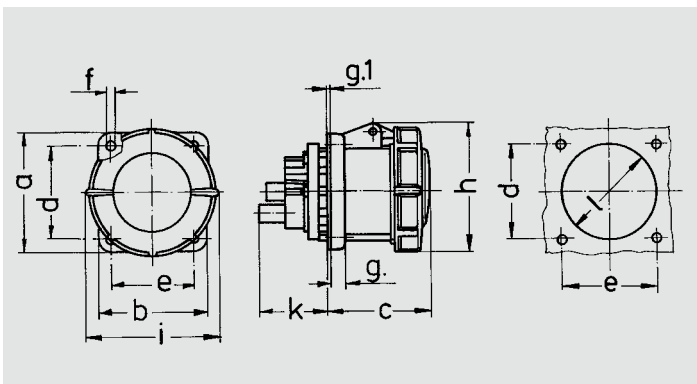
Approximate Dimensions (in inches)

	Wire Configuration		
	2 Pole, 3 Wire	3 Pole, 4 Wire	4 Pole, 5 Wire
a	3.37	3.37	3.37
b	3.37	3.37	3.37
c	2.20	2.20	2.22
d	2.74	2.74	2.74
e	2.74	2.74	2.74
f	0.22	0.22	0.22
g	0.39	0.39	0.39
h	3.09	3.44	3.74
i	2.80	3.07	3.50
k	1.12	1.12	1.12
l	2.76	2.76	2.76



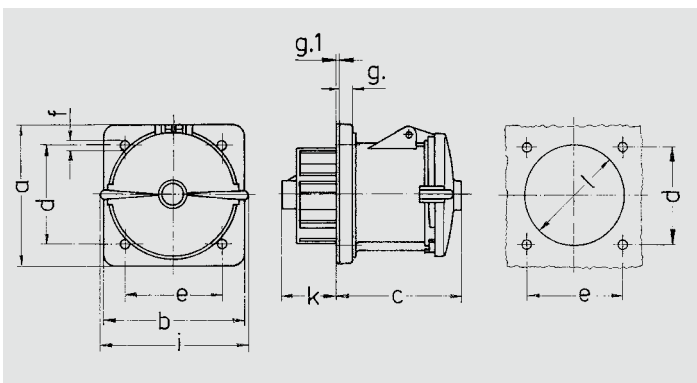
Approximate Dimensions (in inches)

	Wire Configuration		
	2 Pole, 3 Wire	3 Pole, 4 Wire	4 Pole, 5 Wire
a	3.37	3.37	3.37
b	3.37	3.37	3.37
c	2.70	2.70	2.70
d	2.74	2.74	2.74
e	2.74	2.74	2.74
f	0.22	0.22	0.22
g	0.39	0.39	0.39
h	3.90	3.90	4.12
i	3.76	3.76	4.02
k	1.38	1.38	1.38
l	2.76	2.76	2.76



Approximate Dimensions (in inches)

	Wire Configuration		
	2 Pole, 3 Wire	3 Pole, 4 Wire	4 Pole, 5 Wire
a	4.21	4.21	4.21
b	3.94	3.94	3.94
c	3.31	3.31	3.31
d	3.35	3.35	3.35
e	3.03	3.03	3.03
f	0.24	0.24	0.24
g	0.47	0.47	0.47
g.1	0.08	0.08	0.08
h	4.45	4.45	4.45
i	4.65	4.65	4.65
k	2.17	2.17	2.17
l	3.46	3.46	3.46



Approximate Dimensions (in inches)

	Wire Configuration		
	2 Pole, 3 Wire	3 Pole, 4 Wire	4 Pole, 5 Wire
a	5.12	5.12	5.12
b	5.12	5.12	5.12
c	4.88	4.88	4.88
d	4.09	4.09	4.09
e	4.09	4.09	4.09
f	0.26	0.26	0.26
g	0.71	0.71	0.71
g.1	0.08	0.08	0.08
h	4.80	4.80	4.80
i	5.31	5.31	5.31
k	1.70	1.70	1.70
l	3.74	3.74	3.74

**Receptacles  
20 Amp**


\* Available in splashproof. To order, omit W suffix.  
For Back Box Information see page 57.

Wire Configuration	Voltage	Catalog Number*
2 Pole 3 Wire	125	ME 320R4W
	250	ME 320R6W
	480	ME 320R7W
3 Pole 4 Wire	125/250	ME 420R12W
	3Ø250	ME 420R9W
	3Ø480	ME 420R7W
	3Ø600	ME 420R5W
4 Pole 5 Wire	3ØY120/208	ME 520R9W
	3ØY277/480	ME 520R7W
	3ØY347/600	ME 520R5W

**Receptacles  
30 Amp**

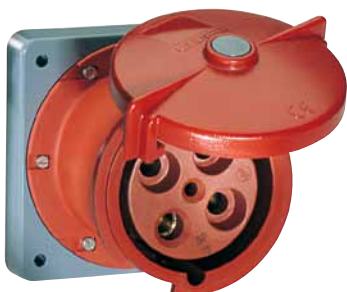

\* Available in splashproof. To order, omit W suffix.  
For Back Box Information see page 57.

2 Pole 3 Wire	125	ME 330R4W
	250	ME 330R6W
	480	ME 330R7W
3 Pole 4 Wire	125/250	ME 430R12W
	3Ø250	ME 430R9W
	3Ø480	ME 430R7W
	3Ø600	ME 430R5W
4 Pole 5 Wire	3ØY120/208	ME 530R9W
	3ØY277/480	ME 530R7W
	3ØY347/600	ME 530R5W

**Receptacles  
60 Amp**


\* Available in splashproof. To order, omit W suffix.  
For Back Box Information see page 57.

2 Pole 3 Wire	125	ME 360R4W
	250	ME 360R6W
	480	ME 360R7W
3 Pole 4 Wire	125/250	ME 460R12W
	3Ø250	ME 460R9W
	3Ø480	ME 460R7W
	3Ø600	ME 460R5W
4 Pole 5 Wire	3ØY120/208	ME 560R9W
	3ØY277/480	ME 560R7W
	3ØY347/600	ME 560R5W

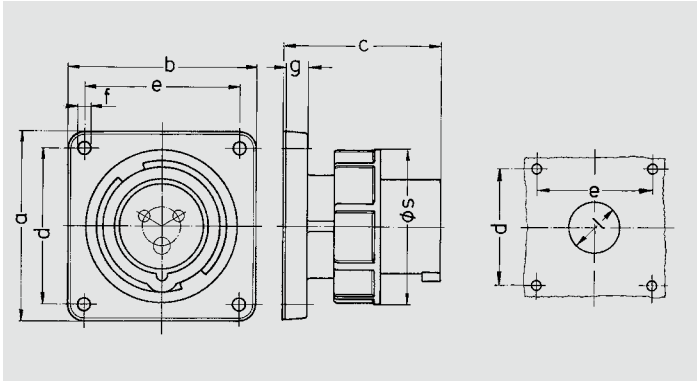
**Receptacles  
100 Amp**


For Back Box Information see page 57.

2 Pole 3 Wire	125	ME 3100R4W
	250	ME 3100R6W
	480	ME 3100R7W
3 Pole 4 Wire	125/250	ME 4100R12W
	3Ø250	ME 4100R9W
	3Ø480	ME 4100R7W
	3Ø600	ME 4100R5W
4 Pole 5 Wire	3ØY120/208	ME 5100R9W
	3ØY277/480	ME 5100R7W
	3ØY347/600	ME 5100R5W

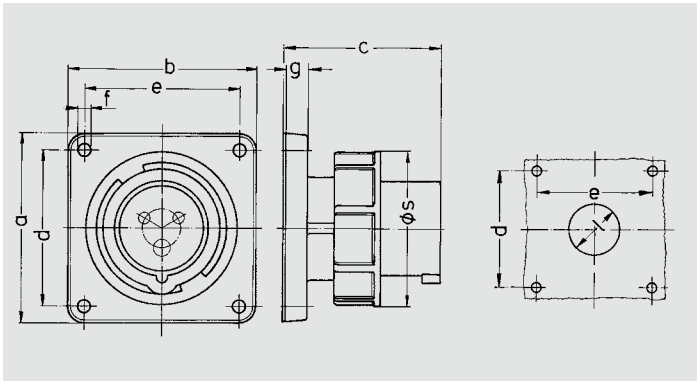
Series 309 - Pin & Sleeve Devices.  
Inlets

20 Amp - 100 Amp  
Watertight



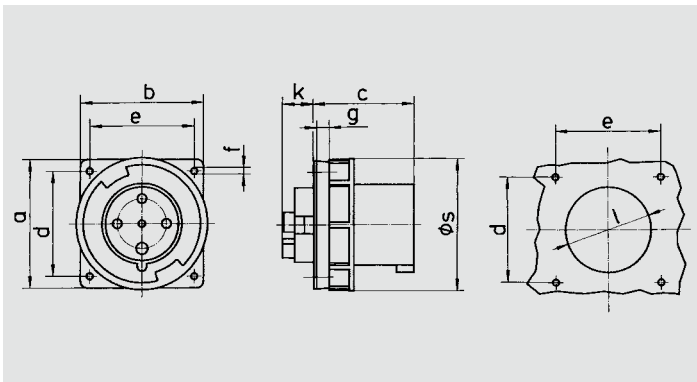
Approximate Dimensions (in inches)

	Wire Configuration		
	2 Pole, 3 Wire	3 Pole, 4 Wire	4 Pole, 5 Wire
a	3.37	3.37	3.37
b	3.37	3.37	3.37
c	2.83	2.83	2.83
d	2.74	2.74	2.74
e	2.74	2.74	2.74
f	0.22	0.22	0.22
g	0.43	0.43	0.43
l	1.26	1.26	1.85
s	2.80	3.11	3.50



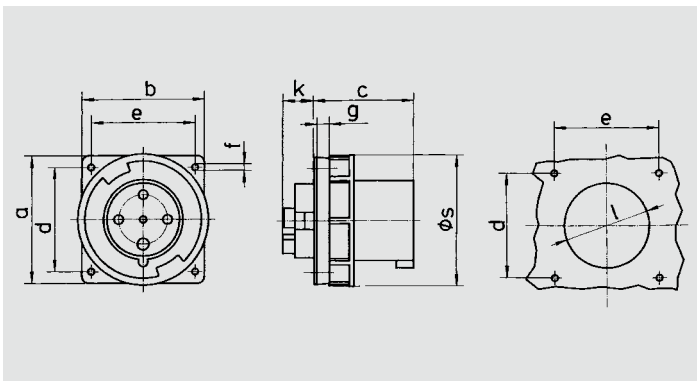
Approximate Dimensions (in inches)

	Wire Configuration		
	2 Pole, 3 Wire	3 Pole, 4 Wire	4 Pole, 5 Wire
a	3.37	3.37	3.37
b	3.37	3.37	3.37
c	3.54	3.54	3.54
d	2.74	2.74	2.74
e	2.74	2.74	2.74
f	0.22	0.22	0.22
g	0.43	0.43	0.43
l	1.85	1.85	1.85
s	3.70	3.70	4.02



Approximate Dimensions (in inches)

	Wire Configuration		
	2 Pole, 3 Wire	3 Pole, 4 Wire	4 Pole, 5 Wire
a	4.33	4.33	4.33
b	4.17	4.17	4.17
c	3.31	3.31	3.31
d	3.54	3.54	3.54
e	3.54	3.54	3.54
f	0.22	0.22	0.22
g	0.43	0.43	0.43
k	1.14	1.14	1.14
l	2.87	2.87	2.87
s	4.45	4.45	4.45



Approximate Dimensions (in inches)

	Wire Configuration		
	2 Pole, 3 Wire	3 Pole, 4 Wire	4 Pole, 5 Wire
a	5.12	5.12	5.12
b	5.12	5.12	5.12
c	4.34	4.34	4.34
d	4.10	4.10	4.10
e	4.10	4.10	4.10
f	0.26	0.26	0.26
g	0.69	0.69	0.69
k	1.14	1.15	1.15
l	3.74	3.75	3.75
s	5.20	5.20	5.20

**Inlets  
20 Amp**


For Back Box Information see page 57.

Wire Configuration	Voltage	Catalog Number
2 Pole 3 Wire	125	ME 320B4W
	250	ME 320B6W
	480	ME 320B7W
3 Pole 4 Wire	125/250	ME 420B12W
	3Ø250	ME 420B9W
	3Ø480	ME 420B7W
	3Ø600	ME 420B5W
4 Pole 5 Wire	3ØY120/208	ME 520B9W
	3ØY277/480	ME 520B7W
	3ØY347/600	ME 520B5W

**Inlets  
30 Amp**


For Back Box Information see page 57.

2 Pole 3 Wire	125	ME 330B4W
	250	ME 330B6W
	480	ME 330B7W
3 Pole 4 Wire	125/250	ME 430B12W
	3Ø250	ME 430B9W
	3Ø480	ME 430B7W
	3Ø600	ME 430B5W
4 Pole 5 Wire	3ØY120/208	ME 530B9W
	3ØY277/480	ME 530B7W
	3ØY347/600	ME 530B5W

**Inlets  
60 Amp**


For Back Box Information see page 57.

2 Pole 3 Wire	125	ME 360B4W
	250	ME 360B6W
	480	ME 360B7W
3 Pole 4 Wire	125/250	ME 460B12W
	3Ø250	ME 460B9W
	3Ø480	ME 460B7W
	3Ø600	ME 460B5W
4 Pole 5 Wire	3ØY120/208	ME 560B9W
	3ØY277/480	ME 560B7W
	3ØY347/600	ME 560B5W

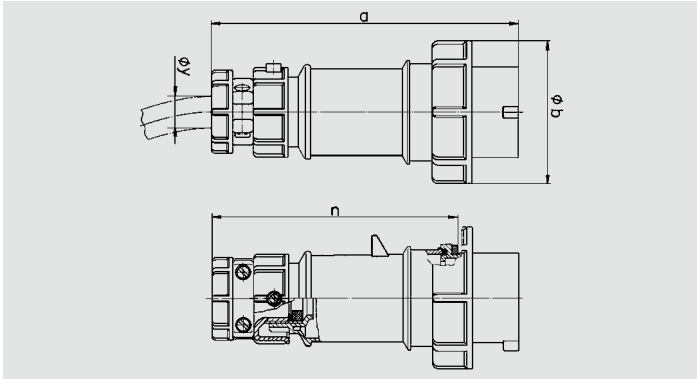
**Inlets  
100 Amp**


For Back Box Information see page 57.

2 Pole 3 Wire	125	ME 3100B4W
	250	ME 3100B6W
	480	ME 3100B7W
3 Pole 4 Wire	125/250	ME 4100B12W
	3Ø250	ME 4100B9W
	3Ø480	ME 4100B7W
	3Ø600	ME 4100B5W
4 Pole 5 Wire	3ØY120/208	ME 5100B9W
	3ØY277/480	ME 5100B7W
	3ØY347/600	ME 5100B5W

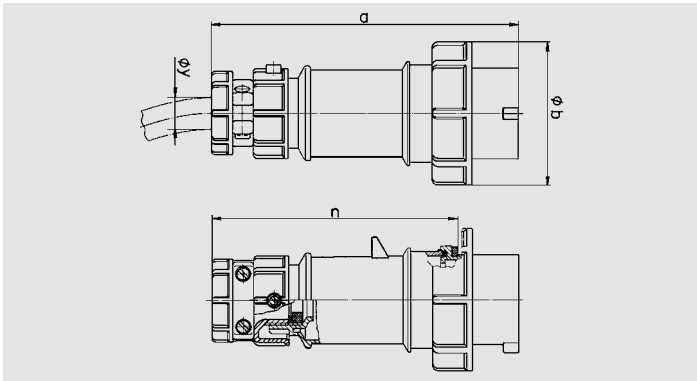
# Series 309 - Pin & Sleeve Devices. Plugs

20 Amp - 100 Amp  
Watertight



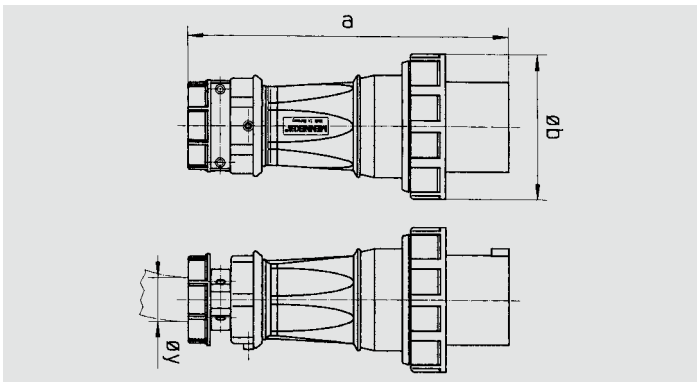
Approximate Dimensions (in inches)

	Wire Configuration		
	2 Pole, 3 Wire	3 Pole, 4 Wire	4 Pole, 5 Wire
a	6.40	6.69	7.28
b	2.76	3.07	3.47
n	4.96	5.26	5.97
y			
Cord Diameter	.36-.76	.36-.76	.45-.94
Threaded Entry (NPT)	3/4	3/4	1



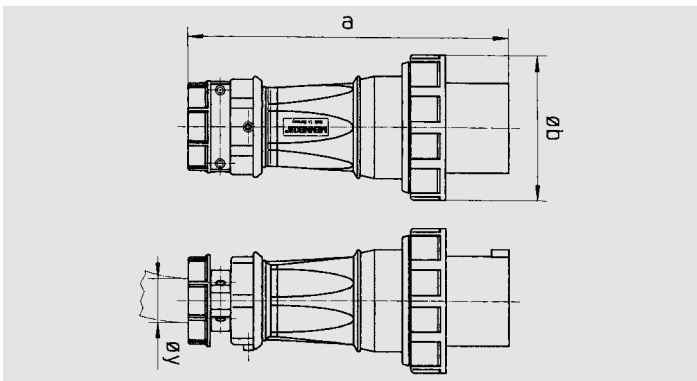
Approximate Dimensions (in inches)

	Wire Configuration		
	2 Pole, 3 Wire	3 Pole, 4 Wire	4 Pole, 5 Wire
a	7.80	7.80	8.43
b	3.70	3.70	3.98
n	6.14	6.14	6.77
y			
Cord Diameter	.43-.94	.43-.94	.43-1.12
Threaded Entry (NPT)	1	1	1 1/4



Approximate Dimensions (in inches)

	Wire Configuration		
	2 Pole, 3 Wire	3 Pole, 4 Wire	4 Pole, 5 Wire
a	9.69	9.69	9.69
b	4.49	4.49	4.49
y			
Cord Diameter	.57-1.42	.57-1.42	.57-1.42
Threaded Entry (NPT)	1 1/2	1 1/2	1 1/2



Approximate Dimensions (in inches)

	Wire Configuration		
	2 Pole, 3 Wire	3 Pole, 4 Wire	4 Pole, 5 Wire
a	11.54	11.54	11.54
b	5.16	5.16	5.16
y			
Cord Diameter	.98-1.97	.98-1.97	.98-1.97
Threaded Entry (NPT)	2	2	2

**Plugs  
20 Amp**


\* Available in splashproof. To order, omit W suffix.

Wire Configuration	Voltage	Catalog Number*
2 Pole 3 Wire	125	ME 320P4W
	250	ME 320P6W
	480	ME 320P7W
3 Pole 4 Wire	125/250	ME 420P12W
	3Ø250	ME 420P9W
	3Ø480	ME 420P7W
	3Ø600	ME 420P5W
4 Pole 5 Wire	3ØY120/208	ME 520P9W
	3ØY277/480	ME 520P7W
	3ØY347/600	ME 520P5W

**Plugs  
30 Amp**


\* Available in splashproof. To order, omit W suffix.

2 Pole 3 Wire	125	ME 330P4W
	250	ME 330P6W
	480	ME 330P7W
3 Pole 4 Wire	125/250	ME 430P12W
	3Ø250	ME 430P9W
	3Ø480	ME 430P7W
	3Ø600	ME 430P5W
4 Pole 5 Wire	3ØY120/208	ME 530P9W
	3ØY277/480	ME 530P7W
	3ØY347/600	ME 530P5W

**Plugs  
60 Amp**


\* Available in splashproof. To order, omit W suffix.

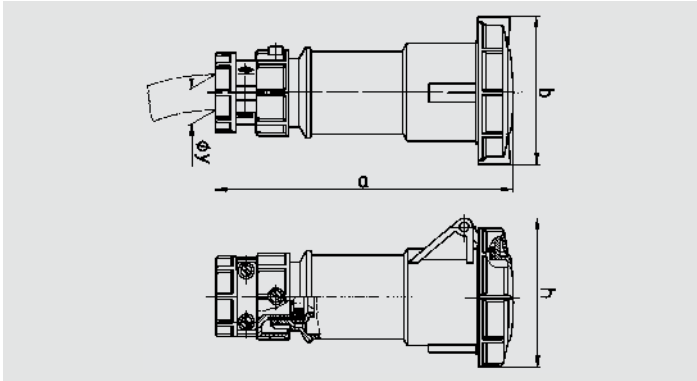
2 Pole 3 Wire	125	ME 360P4W
	250	ME 360P6W
	480	ME 360P7W
3 Pole 4 Wire	125/250	ME 460P12W
	3Ø250	ME 460P9W
	3Ø480	ME 460P7W
	3Ø600	ME 460P5W
4 Pole 5 Wire	3ØY120/208	ME 560P9W
	3ØY277/480	ME 560P7W
	3ØY347/600	ME 560P5W

**Plugs  
100 Amp**


2 Pole 3 Wire	125	ME 3100P4W
	250	ME 3100P6W
	480	ME 3100P7W
3 Pole 4 Wire	125/250	ME 4100P12W
	3Ø250	ME 4100P9W
	3Ø480	ME 4100P7W
	3Ø600	ME 4100P5W
4 Pole 5 Wire	3ØY120/208	ME 5100P9W
	3ØY277/480	ME 5100P7W
	3ØY347/600	ME 5100P5W

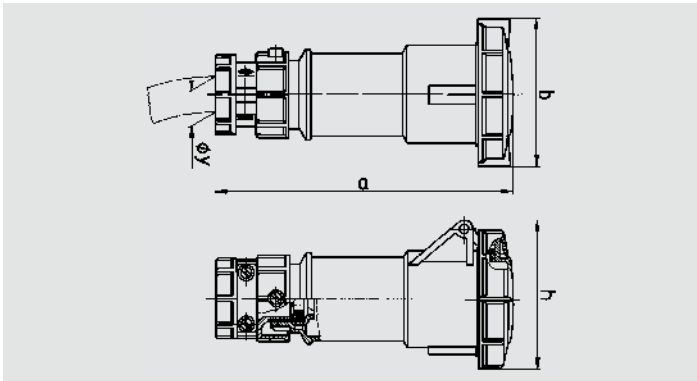
Series 309 - Pin & Sleeve Devices.  
Connectors

20 Amp - 100 Amp  
Watertight



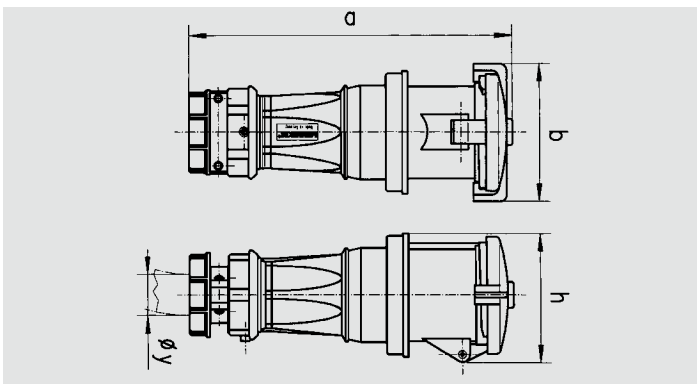
Approximate Dimensions (in inches)

	Wire Configuration		
	2 Pole, 3 Wire	3 Pole, 4 Wire	4 Pole, 5 Wire
a	6.85	7.28	7.92
b	2.84	3.11	3.47
h	3.11	3.47	3.74
y			
Cord Diameter	.36-.76	.36-.76	.45-.94
Threaded Entry (NPT)	3/4	3/4	1



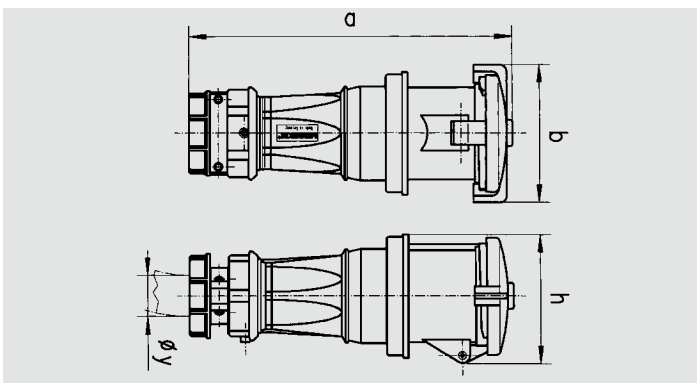
Approximate Dimensions (in inches)

	Wire Configuration		
	2 Pole, 3 Wire	3 Pole, 4 Wire	4 Pole, 5 Wire
a	8.78	8.78	9.18
b	3.78	3.78	4.02
h	3.90	3.90	4.17
y			
Cord Diameter	.43-.94	.43-.94	.43-1.12
Threaded Entry (NPT)	1	1	1 1/4



Approximate Dimensions (in inches)

	Wire Configuration		
	2 Pole, 3 Wire	3 Pole, 4 Wire	4 Pole, 5 Wire
a	10.39	10.39	10.39
b	4.65	4.65	4.65
h	4.45	4.45	4.45
y			
Cord Diameter	.57-1.42	.57-1.42	.57-1.42
Threaded Entry (NPT)	1 1/2	1 1/2	1 1/2



Approximate Dimensions (in inches)

	Wire Configuration		
	2 Pole, 3 Wire	3 Pole, 4 Wire	4 Pole, 5 Wire
a	12.60	12.60	12.60
b	5.31	5.31	5.31
h	4.88	4.88	4.88
y			
Cord Diameter	.98-1.97	.98-1.97	.98-1.97
Threaded Entry (NPT)	2	2	2

**Connectors  
20 Amp**


\* Available in splashproof. To order, omit W suffix.

Wire Configuration	Voltage	Catalog Number*
2 Pole 3 Wire	125	ME 320C4W
	250	ME 320C6W
	480	ME 320C7W
3 Pole 4 Wire	125/250	ME 420C12W
	3Ø250	ME 420C9W
	3Ø480	ME 420C7W
4 Pole 5 Wire	3Ø600	ME 420C5W
	3ØY120/208	ME 520C9W
	3ØY277/480	ME 520C7W
	3ØY347/600	ME 520C5W

**Connectors  
30 Amp**


\* Available in splashproof. To order, omit W suffix.

2 Pole 3 Wire	125	ME 330C4W
	250	ME 330C6W
	480	ME 330C7W
3 Pole 4 Wire	125/250	ME 430C12W
	3Ø250	ME 430C9W
	3Ø480	ME 430C7W
4 Pole 5 Wire	3Ø600	ME 430C5W
	3ØY120/208	ME 530C9W
	3ØY277/480	ME 530C7W
	3ØY347/600	ME 530C5W

**Connectors  
60 Amp**


\* Available in splashproof. To order, omit W suffix.

2 Pole 3 Wire	125	ME 360C4W
	250	ME 360C6W
	480	ME 360C7W
3 Pole 4 Wire	125/250	ME 460C12W
	3Ø250	ME 460C9W
	3Ø480	ME 460C7W
4 Pole 5 Wire	3Ø600	ME 460C5W
	3ØY120/208	ME 560C9W
	3ØY277/480	ME 560C7W
	3ØY347/600	ME 560C5W

**Connectors  
100 Amp**


2 Pole 3 Wire	125	ME 3100C4W
	250	ME 3100C6W
	480	ME 3100C7W
3 Pole 4 Wire	125/250	ME 4100C12W
	3Ø250	ME 4100C9W
	3Ø480	ME 4100C7W
4 Pole 5 Wire	3Ø600	ME 4100C5W
	3ØY120/208	ME 5100C9W
	3ØY277/480	ME 5100C7W
	3ØY347/600	ME 5100C5W